

Thermo Scientific Automation Pipette Tips

made to fit the Eppendorf epMotion automated pipetting system

- Accurate and precise performance
- Low percentage Coefficient of Variation (%CV)
- Validated on the actual instrument for which the tip is created
- Available in three sizes and non-sterile, sterile or sterile filtered



Thermo Scientific™ automation pipette tips specifically designed for the Eppendorf® epMotion® automated pipetting system are validated and tested on an actual epMotion workstation and offer the same quality and performance for trouble-free pipetting. Each pipette tip undergoes a rigorous

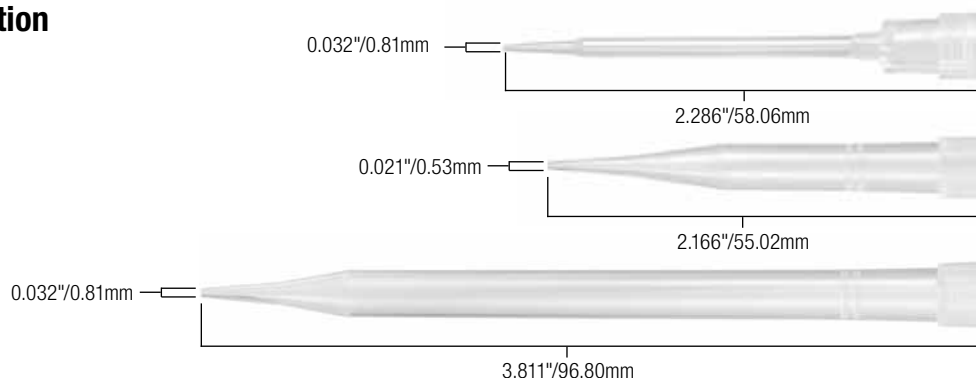
15-point quality control program to ensure consistency thus providing accurate and precise performance achieved by superior tip straightness and a low coefficient of variation. Sterile tips are certified free of RNase, DNase, DNA, endotoxin, bioburden and pyrogen.



Technical Data Comparison*			
Percent Coefficient of Variation			
Tip Size	Dispense Volume	Eppendorf	Thermo Scientific
50 µl	50 µl	0.5%	0.5%
300 µl	200 µl	0.5%	0.5%
1000 µl	200 µl	0.5%	0.5%

* Performed on the Artel Multichannel Verification System (MVS®).
For comparison only. Individual results may vary.

Ordering information



Automation Pipette Tips made to fit the Eppendorf epMotion automated pipetting system

Thermo Scientific Cat. No.	Description	Packaging
965-021	50 µl, Clear, Sterile, Filtered	96 Tips/Rack, 10 Racks/Pack, 4 Packs/Case
965-261	50 µl, Clear, Sterile	96 Tips/Rack, 10 Racks/Pack, 4 Packs/Case
965-262	50 µl, Clear, Non Sterile	96 Tips/Rack, 10 Racks/Pack, 4 Packs/Case
966-021	300 µl, Clear, Sterile, Filtered	96 Tips/Rack, 10 Racks/Pack, 4 Packs/Case
966-261	300 µl, Clear, Sterile	96 Tips/Rack, 10 Racks/Pack, 4 Packs/Case
966-262	300 µl, Clear, Non Sterile	96 Tips/Rack, 10 Racks/Pack, 4 Packs/Case
967-021	1000 µl, Clear, Sterile, Filtered	96 Tips/Rack, 10 Racks/Pack, 4 Packs/Case
967-261	1000 µl, Clear, Sterile	96 Tips/Rack, 10 Racks/Pack, 4 Packs/Case
967-262	1000 µl, Clear, Non Sterile	96 Tips/Rack, 10 Racks/Pack, 4 Packs/Case

Accessories

Thermo Scientific Automation Reservoirs

Designed for simple, economical handling of reagents on automated liquid handling platforms, Thermo Scientific automation reservoirs provide standard SBS dimensions which ensures compatibility with plate stackers and handlers.



Automation Reservoirs

Thermo Scientific Cat. No.	Description	Packaging
1064-05-8	96-Channel Reservoir, Non Sterile	20 Reservoirs/Case
1064-15-8	96-Channel Reservoir, Sterile, Individually Wrapped	20 Reservoirs/Case
1064-05-6	96-Channel Deep Well Reservoir, Non Sterile	20 Reservoirs/Case
1064-15-6	96-Channel Deep Well Reservoir, Sterile, Individually Wrapped	20 Reservoirs/Case
1064-05-7	384-Channel Reservoir, Non Sterile	20 Reservoirs/Case
1064-15-7	384-Channel Reservoir, Sterile, Individually Wrapped	20 Reservoirs/Case

www.thermoscientific.com/autotipchoice

© 2012 Thermo Fisher Scientific Inc. All rights reserved. "Eppendorf" and "epMotion" are registered trademarks of Eppendorf AG. "MVS" is a registered trademark of Artel, Inc. All other trademarks are the property of Thermo Fisher Scientific Inc. and its subsidiaries

North America:

+1 800 995 2787 • info.sandiego@thermofisher.com

Outside North America:

+1 858 453 7551 • info.sandiego@thermofisher.com

Europe:

+45 4631 2173 • info.langensfeld@thermofisher.com

Thermo
SCIENTIFIC

Part of Thermo Fisher Scientific