

Thermal Cycler Fleet Control Software

Catalog No. A40070

Part No. 100077923 Revision B

Product description

The Applied Biosystems™ Thermal Cycler Fleet Control Software is used to manage users, methods, run reports, and multiple PCR instruments through a single user interface. The software is compatible with all Applied Biosystems™ Thermal Cyclers (see "Accessory products" for more information).

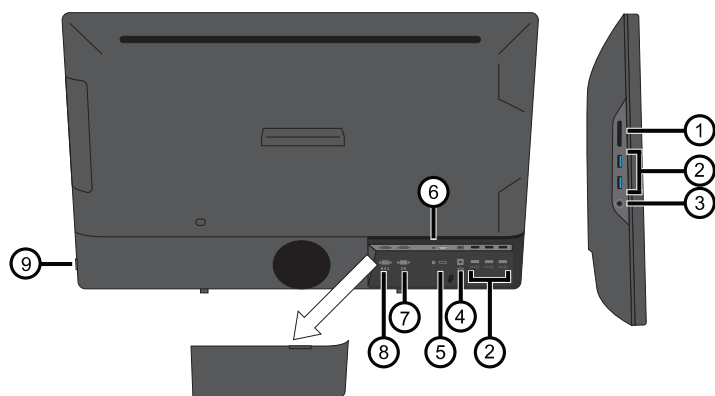
Contents

Item	Quantity
Thermal Cycler Fleet Control Software installed on an Optiplex™ 3050 All-in-One computer	1 each
Universal Power Cord	1 each
4GB USB Memory Device	1 each
Optical mouse	1 each
Keyboard	1 each
CAT5 Ethernet cable	1 each

Hardware specifications*

Hardware	Dell™ Optiplex™ 3050 All-in-One computer with 19.1" touch screen, keyboard, and mouse
Network connection	LAN or WiFi
Storage capacity	128 GB

* For more hardware specifications, see the manual for the Optiplex™ 3050 All-in-One computer.



1. Media card reader
2. USB ports
3. Universal audio jack
4. Ethernet port
5. Display port
6. Power port
7. VGA monitor port
8. COM/serial port
9. Power button

Set up the Fleet Control Computer

1. Plug the power cord into the power port, then connect the computer to a power outlet.
2. (Recommended) Plug the Ethernet cable to the computer and connect to an Ethernet port.
Note: When the computer is turned on, you will have the option of connecting to a network by WiFi.
3. (Recommended) Connect the USB mouse and USB keyboard to the computer.
4. Turn on the power button.
5. Follow the self-guided tutorial to create an Administrator account and complete set up.

Note: Use of a wired network connection, and obtaining an IP address automatically is recommended. Ensure that TCP/IP port number 80,8080,8888 is enabled.

6. Go to thermofisher.com/fleetcontrolupdate to download and install the latest version of the Fleet Control Software (see video tutorials for additional guidance).

View tutorials for the Fleet Control Software

For a complete overview of software features and to see instructional videos on how to use the software, go to **Settings/help > Help tutorials > View tutorials**.

Connect a thermal cycler to the network

Thermal cyclers must be connected to your network to be visible on the **Instrument dashboard**. Connect your instrument according to the following instructions.

IMPORTANT! If the thermal cycler is not on the same subnet as the Fleet Control Computer, you will need to note the IP address of the thermal cycler in order to add the instrument manually to the Fleet Control Computer (see **Connect a thermal cycler to the Fleet Control Computer**).

ProFlex™, SimpliAmp™, and MiniAmp™ Thermal Cyclers

1. Connect the thermal cycler to your network using an Ethernet cable, or insert a USB WiFi module into the back of the instrument.
2. Go to **Settings > Instrument settings > Network connection > Wired/wireless** to set up your thermal cycler network configuration.

Note: The IP address of the thermal cycler is also located on the **Network Configuration** page.

3. Go to **Settings > Instrument settings > Multi-instrument**, then set your thermal cycler to **Visible**.

Automated Thermal Cycler (ATC)

Connect the thermal cycler to your network using an Ethernet cable.

A DHCP server automatically assigns an IP address to the ATC so it appears on your **Instrument dashboard**.

Note: See the *ATC Demo Software* for instructions on how to find the IP address.

Veriti™ Thermal Cycler

1. Connect the thermal cycler to your network using an Ethernet cable (Veriti™ instruments only support connection by Ethernet cable).
2. Go to **Settings Menu > Admin Menu > Set IP Address** to set up your thermal cycler network configuration.

Accessory products

Product	Source
ProFlex™ PCR System	thermofisher.com/proflex
SimpliAmp™ Thermal Cycler	thermofisher.com/simpliamp
Veriti™ Thermal Cycler	thermofisher.com/veriti
Automated Thermal Cyclers	thermofisher.com/atc
MiniAmp™ and MiniAmp™ Plus Thermal Cyclers	thermofisher.com/miniamp

thermofisher.com/support | thermofisher.com/askaquestion

thermofisher.com

8 January 2019

Connect a thermal cycler to the Fleet Control Computer

Thermal cyclers on the same subnet as your Fleet Control Computer are visible from the **Instrument dashboard**. Connect your thermal cycler to the Fleet Control Computer according to the following instructions (see video tutorials for additional guidance).

1. From the **Instrument dashboard**, go to **Actions > Add new instrument**.
2. Select the tile for the thermal cycler(s) to be added to the Fleet Control Computer from the list of available instruments.

If your thermal cycler is not visible on the **Instrument dashboard**, use the IP address of the thermal cycler to add the instrument manually.

1. Note the IP address of the thermal cycler (see **Connect a thermal cycler to network**).
2. From the **Instrument dashboard**, go to **Actions > Add new instrument > Add manually**, then enter the thermal cycler IP address.

Access the Fleet Control Computer from a different computer

The Fleet Control Computer can be remotely accessed from a different computer (client computer) in order to operate the Fleet Control Software.

1. Log in to the Fleet Control Computer with Administrator account.
2. Go to **Settings/help > Wired network connection (or Wireless network connection)** and note the IP address of the Fleet Control Computer.
3. Launch the Chrome™ browser in the client computer.
Note: Use the Chrome™ browser to ensure full functionality of the software from the client computer.
4. Enter the IP address from the Fleet Control Computer in the address bar of the client computer.