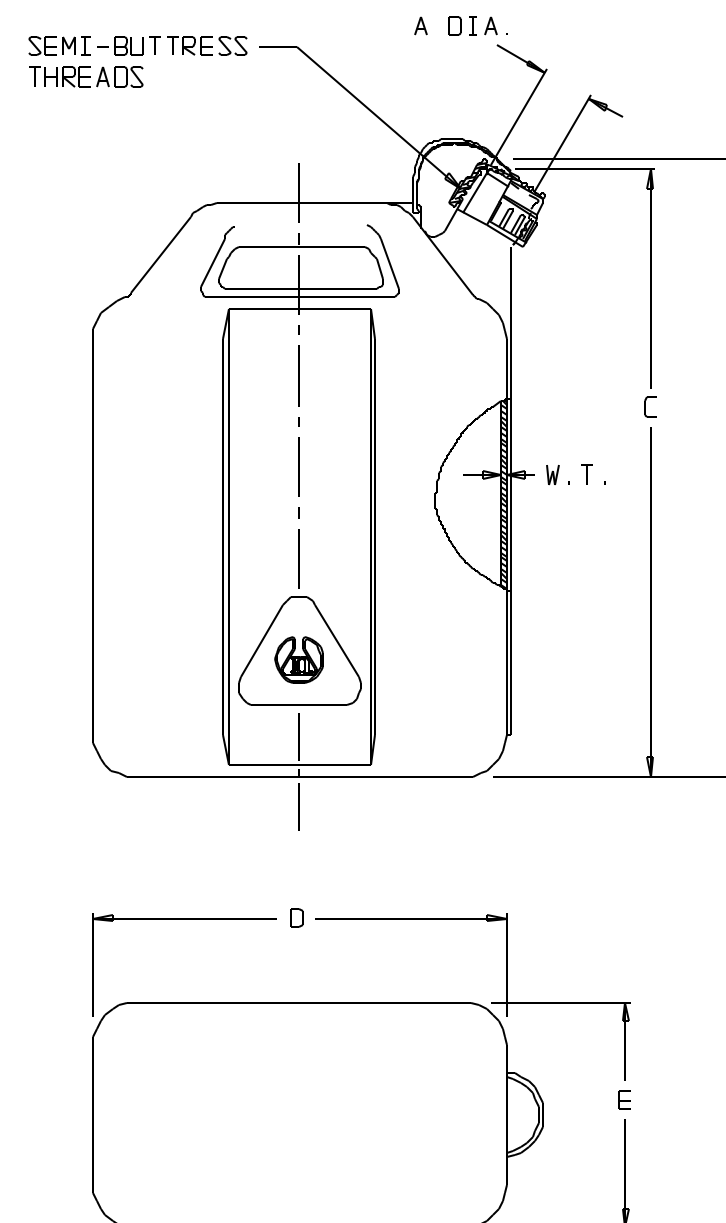


CATALOG NO.	NOMINAL CAPACITY (GAL)			MATERIALS	
				JERRICAN	CLOSURE
002242	1.5	2.5	5	FLPE	WHITE PP

SIZE CODE.....:	-0015		-0025		-0050	
SIZE (NOM VOL L/GAL):	6/1.5		10/2.5		20/5	
NOM. BRIM CAP. (L)...:	7.6		12		24	
NECK FINISH (mm).....:	53B		53B		53B	
THREAD (T.P.I.).....:	4		4		4	
NOM. WEIGHT W/ CLOSURE(gms).....:	920		1120		1580	
	INCH	MM	INCH	MM	INCH	MM
A (NECK I.D.).....:	1.41 ±0.04	35.8 ±1.0	1.48 ±0.04	37.6 ±1.0	1.60 ±0.04	40.6 ±1.0
B (HT. W/ CLOSURE)...:	13.2 ±0.2	335.3 ±5.1	14.8 ±0.2	375.9 ±5.1	17.8 ±0.3	452.1 ±7.6
C (HT. W/O CLOSURE)..:	12.9 ±0.2	327.7 ±5.1	14.5 ±0.2	368.3 ±5.1	17.6 ±0.3	447.0 ±7.6
D (WIDTH).....:	8.38 ±0.14	212.9 ±3.6	9.70 ±0.15	246.4 ±3.8	12.6 ±0.2	320.0 ±5.1
E (DEPTH).....:	6.94 ±0.12	176.3 ±3.0	7.82 ±0.13	198.6 ±3.3	9.64 ±0.15	244.9 ±3.8
W.T.(NOM WALL THK)...:	0.18	4.6	0.20	5.1	0.22	5.6

NOTES:

1. ALL DIMENSIONS ARE NOMINAL AND IN INCHES AND MILLIMETERS UNLESS OTHERWISE NOTED.
2. THIS IS NOT A PRODUCTION DRAWING, BUT IS FOR INFORMATIONAL PURPOSES ONLY, AND IS SUBJECT TO CHANGE WITHOUT NOTICE.



SPECS ON BACK

NOT TO SCALE

CONFIDENTIAL

THIS PRODUCT SPECIFICATION SHEET CONTAINS CONFIDENTIAL AND/OR PROPRIETARY INFORMATION AND IS TO BE USED ONLY FOR THE EXPRESSED PURPOSES AGREED UPON BY AN AUTHORIZED OFFICER OF THERMO FISHER SCIENTIFIC.

ThermoFisher
SCIENTIFIC

Thermo Fisher Scientific
75 Panorama Creek Drive
Rochester, NY 14625-2385, USA

MADE	MG	APP'D	PSS 00-2242-XXXX	REV.	0699
DESCRIPTION:					
JERRICANS					