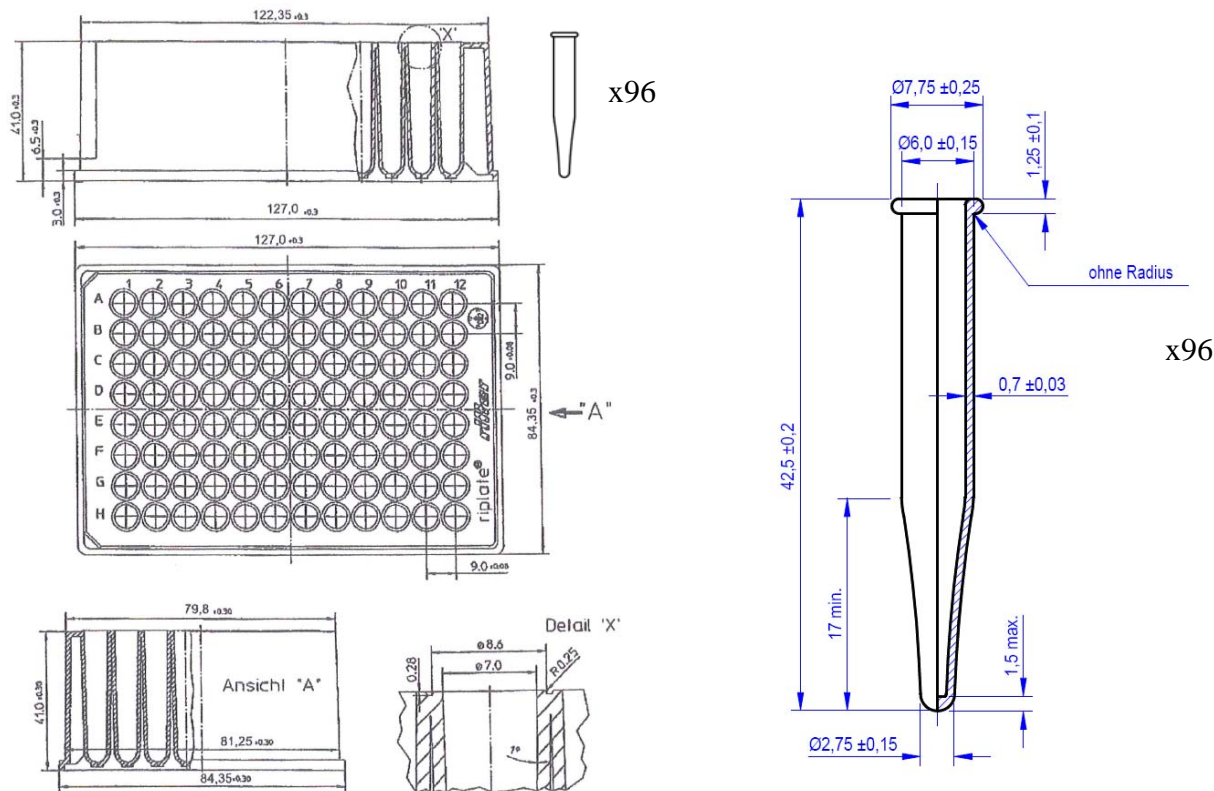


**General Arrangement Drawings
Deepwell Plates for Chromatography-Glass Vials-Pre-inserted**

Cat.No.	Description	A	B	F	G1	H	J	K	L	M
		BASE LENGTH	BASE WIDTH	OVERALL HEIGHT	DIA TOP	A - I LOCATION (X)	A - I LOCATION (Y)	WELL TO WELL SPACING	WELL DEPTH	BOTTOM OF WELL DISTANCE
60180-K201	Deep Well Block, PP, 96 positions, filled with 0.35ml glass Micro-Insert	127	84.35	41.0 (plate) 45.5 (vial)	4.6 (vial)	14.70	11.50	9mm	41.0	3.0mm



Notes.

Drawings are for instrument set-up purposes and are not manufacturing drawings

Thermo Fisher Scientific is providing information that has been supplied by the original manufacturer and is not responsible for subsequent changes or modifications.

All dimensions mm