

# Technically Superior Saliva Collection

## Spectrum™ SDNA Whole Saliva Collection Device SDNA-2000

Part number R13102



### SDNA Product Description

How you collect saliva makes a big diagnostic difference. To incorporate the use of saliva into COVID-19 diagnostic testing protocols or implement actual real-world mass-testing in scalable scenarios, requires an authorized, proven, validated, and supported system that mitigates risk of exposure and a device engineered to increase testing accuracy.

The SDNA saliva collection device has been engineered to lead the saliva collection market in molecular diagnostic applications. This self-contained saliva collection system provides critical sample consistency while suspending and neutralizing viral RNA transcripts post collection, for sensitive and specific analysis completely inactivating the live virus at ambient temperatures.

Spectrum's technically-superior molecular diagnostic saliva collection systems provides long-term stability and ships with verified, unique barcode serialization for biosample digital chain-of-custody.

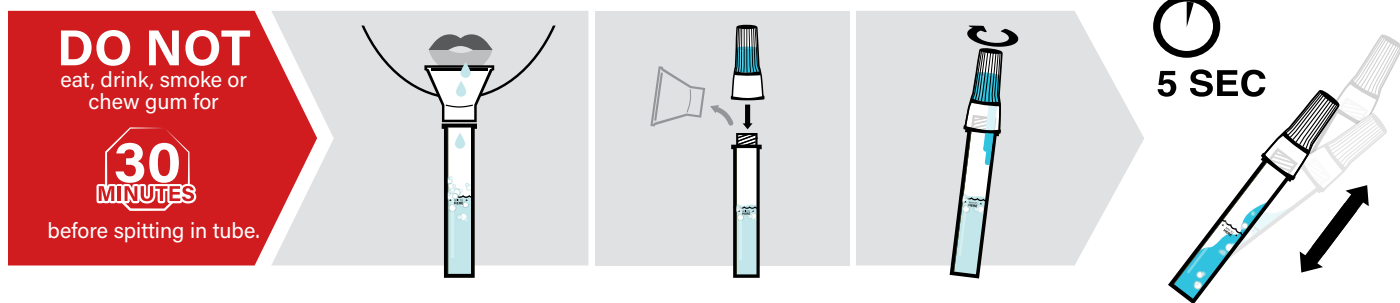
Choosing the wrong saliva collection device can introduce and increase critical failure points. Spectrum's new and technically-superior saliva collection device is the answer your teams and projects have been waiting for.

### Advantage

- ✓ **Simple**  
Single device for DNA/viral RNA biosample collection, transportation, & storage
- ✓ **Compatible**  
Tube compatible with automated platforms & customizable for incremental efficiency improvements  
  
Qualified commercial RNA extraction chemistries include Perkin Elmer, Thermo Fisher, Roche, Qiagen, and more
- ✓ **Intuitive**  
Intuitive 3-step design, proven to reduce customer collection errors
- ✓ **Storage**  
Post collection stability at room temperature for one year.  
Shelf life 24-months at room temperature for DNA
- ✓ **Efficient**  
System maintains biosample consistency. Significantly reduces costs associated with sample failures & recollection
- ✓ **Shipping**  
Standard mail at ambient temperatures. In device viral neutralization delivers shipping clearance with no biohazard UN3373 designation
- ✓ **Solution**  
Innovative, patented chemistry that preserves & protects both DNA/viral RNA transcripts, manages bacteria & mitigates any risk of infection throughout the testing process
- ✓ **COVID-19**  
Delivers 100% inactivation of the live virus at ambient temperature

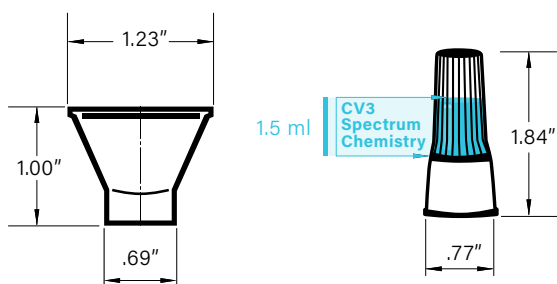
## Intuitive Design

The saliva collection device has been engineered to resolve testing failure issues from user collection errors.

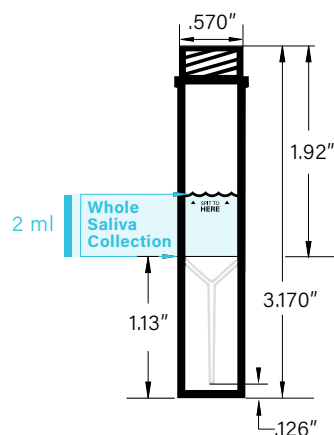


## Device Specifications

### Funnel and Cap Dimensions



### Tube Dimensions



Request more information at  
[thermofisher.com/VTM](https://www.thermofisher.com/VTM)

**ThermoFisher**  
 SCIENTIFIC